

# CAT® C13D

U.S. EPA TIER 4 FINAL/EU STAGE V/CHINA NONROAD STAGE IV/  
JAPAN 2014/KOREA STAGE V  
340-515 KW (456-690 HP)

INDUSTRIAL ENGINE



The Cat® C13D is a rugged and power-dense engine made for machines that continuously tackle tough jobs in a number of industries including mining, construction, materials handling, aircraft ground support, and more. With a variable turbocharged, common rail direct injection industrial engine that meets U.S. EPA Tier 4 Final, EU Stage V and other equivalent emissions standards, you get the power you need while also helping you save valuable time and costs on the job.



## FEATURES AND BENEFITS

### High Power Density

With power density as high as 53.5 hp/L (40 kW/L), and a power-to-weight ratio as high as 0.45 kW/kg (0.27 hp/lb), you can look to downsize the displacement and weight of the engine that's currently powering your application.

### Fuel Efficient

Our electronically optimized engines are precisely engineered so you can save costs at the pump. In fact, our advanced controls algorithm optimizes fuel consumption to as low as 185 g/kW-hr and can match operating cycles of a wide range of equipment and applications while maintaining low operating costs – even over various altitude and ambient conditions. Building on sustainability, the C13D is compatible with B20 biofuels and HVO, helping to save you cost, reduce lifecycle CO<sub>2</sub> emissions, while improving performance.

### Low-Cost Maintenance

Between 1,000 hour oil and fuel change intervals and 5,000 hour diesel particulate filter (DPF) ash service intervals, you'll spend less time and costs maintaining your machine. And with technologies like hydraulic lash adjusters (HLA) and service-free integrated open crankcase ventilation (OCV) filtration, you'll spend less time servicing your engine and more time focusing on your work.

## SPECIFICATION

Cylinders	6 vertical in-line
Displacement, L (in <sup>3</sup> )	12.9 (787.2)
Aspiration	Turbocharged aftercooled
Bore and stroke, mm (in)	130 x 162 (5.1 x 6.4)
Maximum power, kW (hp)	515 (690)
Rated speed, rpm	1800 - 2100
Maximum torque, Nm (lb ft) @ rpm	3200 (2360) @ 1300
Combustion system	Direct injection
Weight, kg (lb)	1154 (2544)
Rotation (viewed from flywheel)	Anti-clockwise

For additional information on all your power requirements, visit [www.cat-industrial.com](http://www.cat-industrial.com)

All information in this document is substantially correct at time of printing and may be altered subsequently.  
Photographs are for illustrative purposes only and may not reflect final specification.  
Final weight and dimensions will depend on completed specification.  
Information subject to selected configuration, and subject to change without notice.  
Engine power measured per ISO 14396:2002

AEXJ0139-01 (12-22)

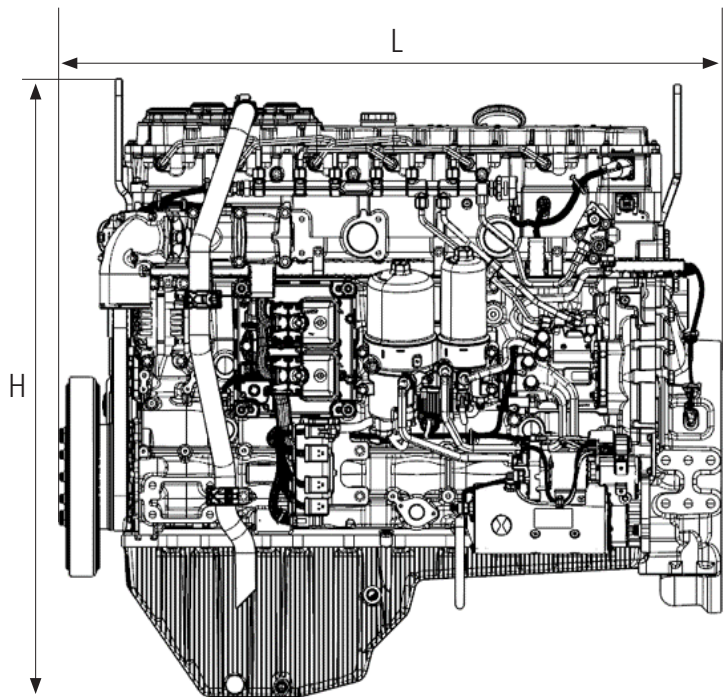
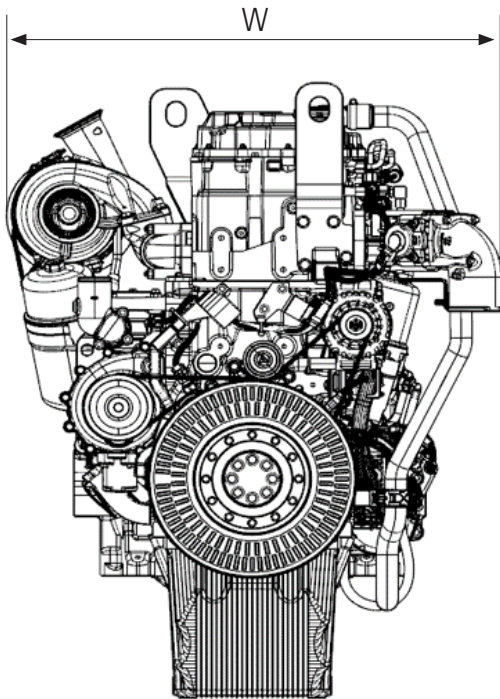
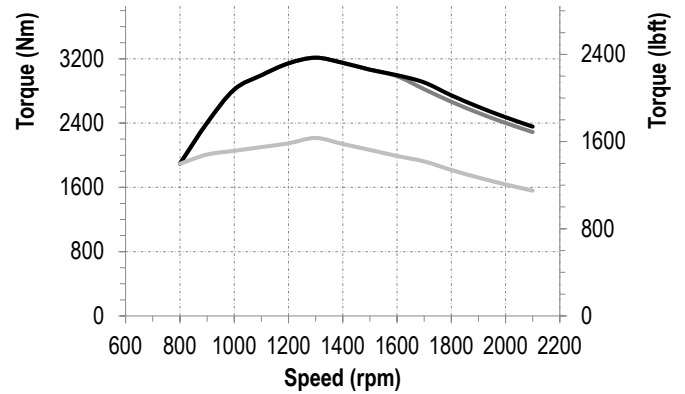
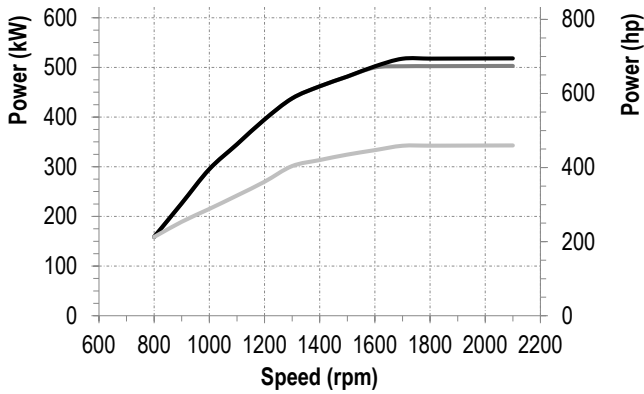
© Caterpillar. All Rights Reserved. CAT, CATERPILLAR, LET'S DO THE WORK, their respective logos, "Caterpillar Corporate Yellow", the "Power Edge" and Cat "Modern Hex" trade dress as well as corporate and product identity used herein, are trademarks of Caterpillar and may not be used without permission.

# CAT® C13D

U.S. EPA TIER 4 FINAL/EU STAGE V/CHINA NONROAD STAGE IV/  
JAPAN 2014/KOREA STAGE V  
340-515 KW (456-690 HP)



INDUSTRIAL ENGINE



## DIMENSIONS AND WEIGHT

Length, mm (in)	1381 (54)
Width, mm (in)	969 (38)
Height, mm (in)	1273 (50)
Weight, kg (lb)	1154 (2544)

For additional information on all your power requirements, visit [www.cat-industrial.com](http://www.cat-industrial.com)

All information in this document is substantially correct at time of printing and may be altered subsequently.  
Photographs are for illustrative purposes only and may not reflect final specification.  
Final weight and dimensions will depend on completed specification.  
Information subject to selected configuration, and subject to change without notice.  
Engine power measured per ISO 14396:2002

AEXJ0139-01 (12-22)

© Caterpillar. All Rights Reserved. CAT, CATERPILLAR, LET'S DO THE WORK, their respective logos, "Caterpillar Corporate Yellow", the "Power Edge" and Cat "Modern Hex" trade dress as well as corporate and product identity used herein, are trademarks of Caterpillar and may not be used without permission.